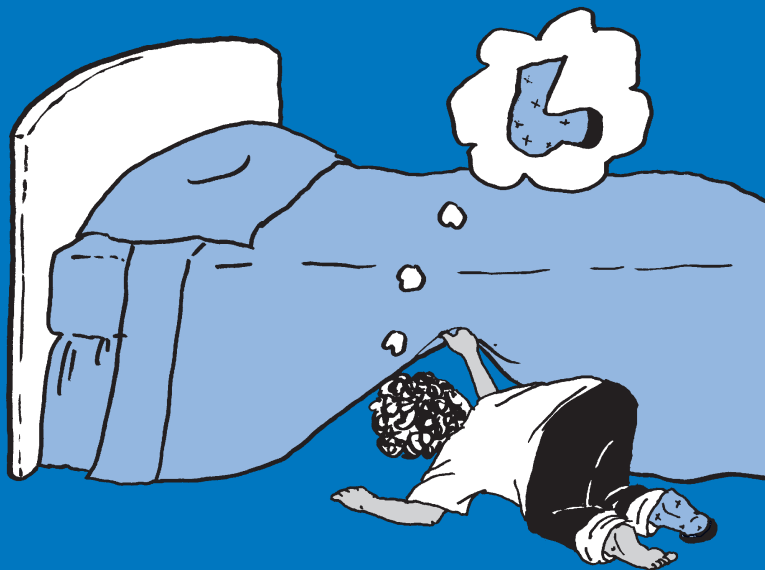
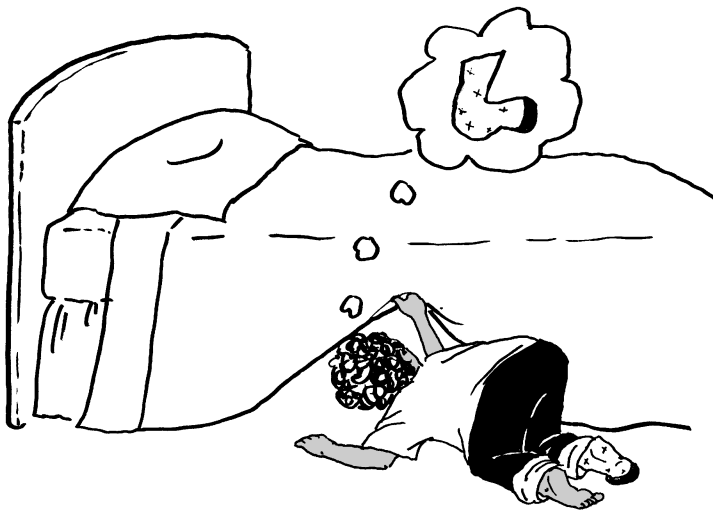
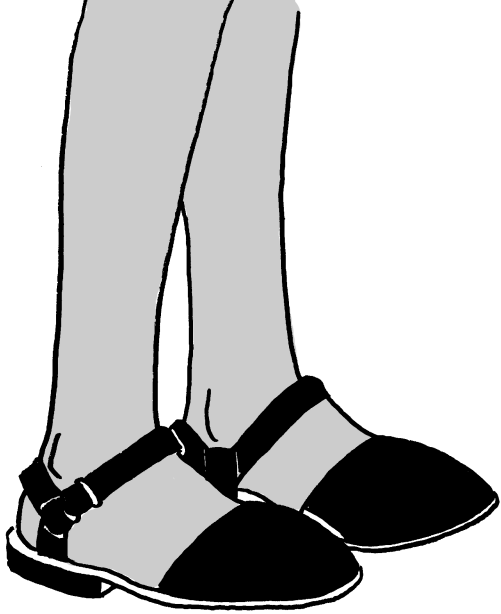


## Where Is My Sock?

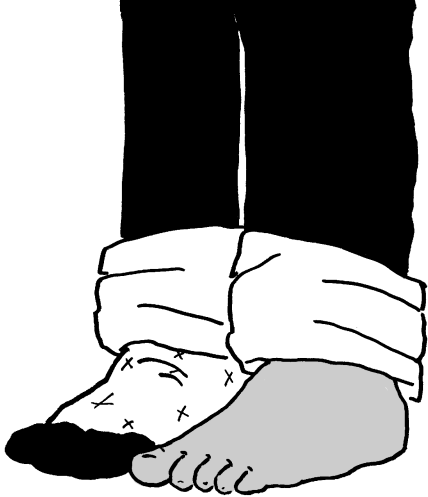




Sam: Where is my sock,  
Mom? Where did it go?



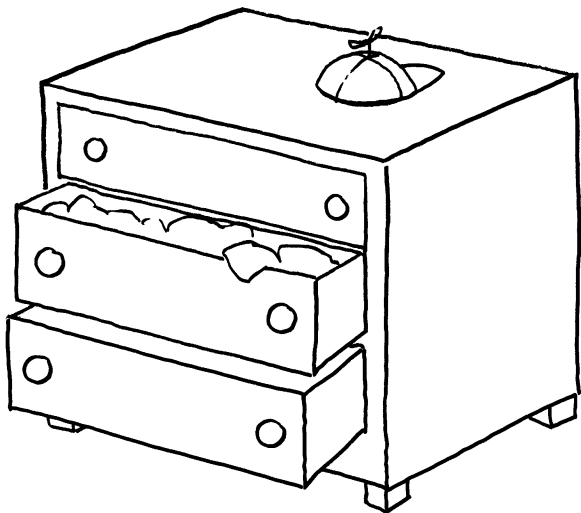
Mom: A sock can not  
run. Did you take it off?



Sam: I did take off my  
sock. It was hot in the sun.



Mom: Where did you take  
it off? Is it in the sack?



Sam: I is not in the sock sack. My sock is not on my hat.



Sam: It is not on my rock.  
It is not under the mat.

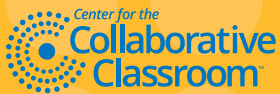


Mom: Did you ask Dad?  
Did Dad see it?





Sam: Dad has it. He sat  
on my sock.



A component of **SIPPS**® Beginning Level

ISBN 978-1-61003-461-6



SP54-LB29